

AMERICAN FENCE COMPANY

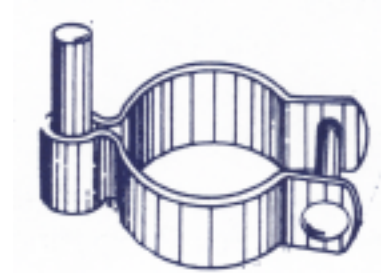


Gate Hardware

Male Hinges (residential)

(Order one nut/bolt for each hinge. Not Included.)

<u>Code</u>	<u>Size</u>	<u>Bolt Size</u>	<u>Weight per unit</u>
10813	1 3/8"	3/8" x 2"	.64#
10814	1 5/8"	3/8" x 2"	.7#
10815	2"	3/8" x 2 1/2"	.74#
10816	2 1/2"	3/8" x 3"	.78#
10817	3"	3/8" x 3 1/2"	1.16#



Female Hinges (residential)

(Order one nut/bolt for each hinge. Not Included.)

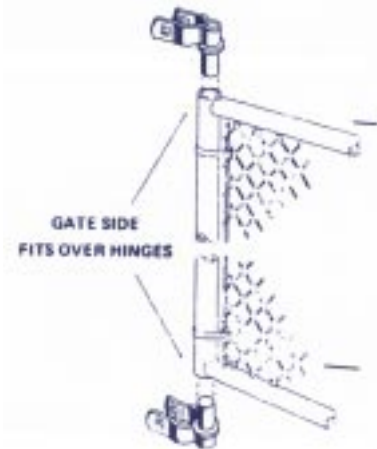
<u>Code</u>	<u>Size</u>	<u>Bolt Size</u>	<u>Weight per unit</u>
10803	1 3/8"	3/8" x 2"	.44#
10804	1 5/8"	3/8" x 2"	.57#
10805	2"	3/8" x 2 1/2"	.61#



Kennel Hinge

(Order one nut/bolt for each hinge. Not Included.)

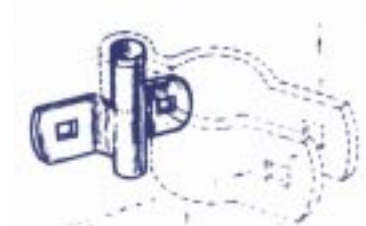
<u>Code</u>	<u>Size</u>	<u>Bolt Size</u>	<u>Weight per unit</u>
10801	1 3/8"	5/16" x 2"	.76#



Male Hinge for Wood or Masonry

(Order two screws for each hinge. Not Included.)

<u>Code</u>	<u>Size</u>	<u>Bolt Size</u>	<u>Weight per unit</u>
10800	Universal	NA	.5#



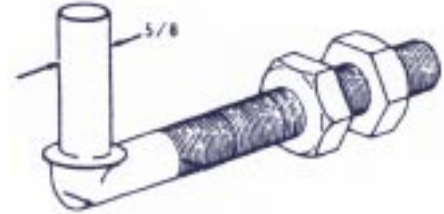
AMERICAN FENCE COMPANY



Gate Hardware

Hanger Bolt

<u>Code</u>	<u>Size</u>	<u>Weight per unit</u>
10802	5/8" x 8"	.09#



Commercial Strap Hinge

(Order four nut/bolts and one "U" for each hinge. Not Included.)

<u>Code</u>	<u>Size</u>	<u>Bolt Size</u>	<u>Weight per unit</u>
10820	2 1/2"	2 -7/16" x 2" 2 -7/16" x 3"	3.75#
10822	3"	2 -7/16" x 2" 2 -7/16" x 3"	4#
10824	3 1/2"	2 -7/16" x 2" 2 -7/16" x 3"	4.25#
10826	4"	2 -7/16" x 2" 2 -7/16" x 3"	5#
10828	4 1/2"	2 -1/2" x 2" 2 -1/2" x 3"	6.5#
10830	6 5/8"	2 -1/2" x 2" 2 -1/2" x 3"	8#
10832	8 5/8"	2 -1/2" x 2" 2 -1/2" x 3"	9#



Commercial "U" (must accompany strap hinge)

<u>Code</u>	<u>Size</u>	<u>Weight per unit*</u>
10840	1 5/8"	.8#
10841	2"	1#
10845	1 5/8" Extra Heavy**	1#
10846	2" Extra Heavy**	1.2#

* Included in weight of strap hinge

** Extra Heavy for 4 1/2", 6 5/8" & 8 5/8" only.

AMERICAN FENCE COMPANY



Gate Hardware

180 Degree Swing Commercial Hinge

<u>Code</u>	<u>Size*</u>	<u>Weight per unit</u>
10836	3" x 1 5/8" or 2"	.4#
10837	4" x 1 5/8" or 2"	.4#
10838	6 5/8" x 15/8" or 2"	

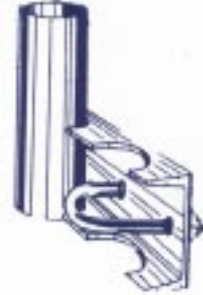
* First dimension is gate post size;
second dimension is gate frame size.



Offset Hinge Adapter

(For use with Commercial Strap Hinge. Not Included.)

<u>Code</u>	<u>Size</u>	<u>Weight per unit</u>
10847	1 5/8"	3.5#
10848	2"	3.5#



Residential Fork Latch

(Order one hanger set and two nuts/bolts for each fork. Not Included.)

<u>Code</u>	<u>Size</u>	<u>Weight per unit</u>
10883	1 3/8"	.4#
10885	2"	.45#
10886	2 1/2"	.52#
10889	3"	.6#
10890	4"	.84#



Residential Butterfly Latch

<u>Code</u>	<u>Size</u>	<u>Weight per unit</u>
10864	2" x 1 3/8"	.85#
10865	2 1/2" x 1 3/8"	.91#



AMERICAN FENCE COMPANY

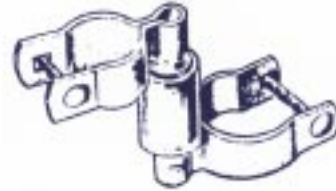


Gate Hardware

Industrial Gate Closure

<u>Code</u>	<u>Size*</u>	<u>Weight per unit</u>
10866	1 3/8" x J bolt	2.7#
10867	1 5/8" x 3"	2.7#
10868	2" x 3"	2.7#

* First dimension is gate frame size;
second dimension is gate post size.



Automatic Gate Closure

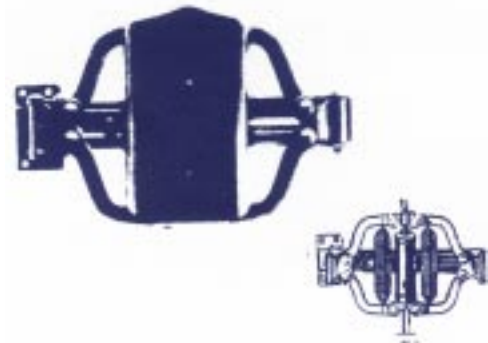
<u>Code</u>	<u>Size*</u>	<u>Weight per unit</u>
10862	2" x 1 3/8"	1#
10863	2 1/2" x 1 3/8"	1.1#

* First dimension is gate post size;
second dimension is gate frame size.



Kant - Slam Door Closure

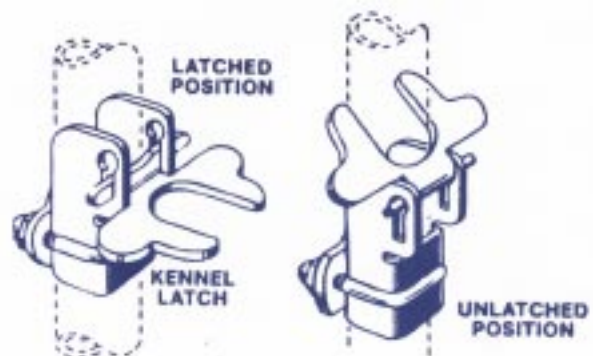
<u>Code</u>	<u>Size</u>	<u>Weight per unit</u>
10869	Universal	6#



Kennel Latch

<u>Code</u>	<u>Size*</u>	<u>Weight per unit</u>
10850	1 3/8" x 1 3/8"	.85#

* First dimension is gate frame size;
second dimension is frame size.



AMERICAN FENCE COMPANY



Gate Hardware

Spring Latch

<u>Code</u>	<u>Size*</u>	<u>Weight per unit</u>
10870	1 1/16" x 1 3/8"	.68#

* First dimension is gate frame size;
second dimension is frame size.



Catch Latch

<u>Code</u>	<u>Size</u>	<u>Weight per unit</u>
10871	Universal	.17#



Commercial Latches

(Nuts and Bolts included.)

<u>Code</u>	<u>Size*</u>	<u>Weight per unit</u>
10888	2 1/2" x 1 5/8"	1.07#
10891	3" x 1 5/8"	1.25#
10892	4" x 1 5/8"	1.4#
10893	3" x 2"	1.66#
10894	4" x 2"	1.95#

* First dimension is gate post;
second dimension is frame size.



1 5/8" Pressed Steel Latch

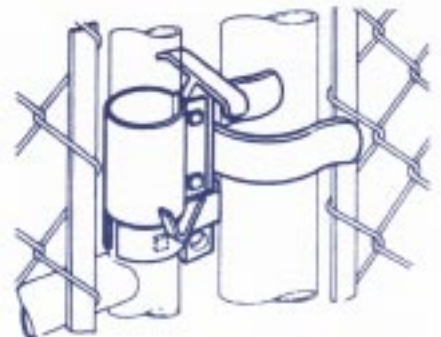


2" Malleable Latch

Single Industrial Gate Latch

<u>Code</u>	<u>Size*</u>	<u>Weight per unit</u>
10899	4" x 1 5/8"	2.5#
10900	4" x 2"	2.5#

* First dimension is gate post size;
second dimension is gate frame size.

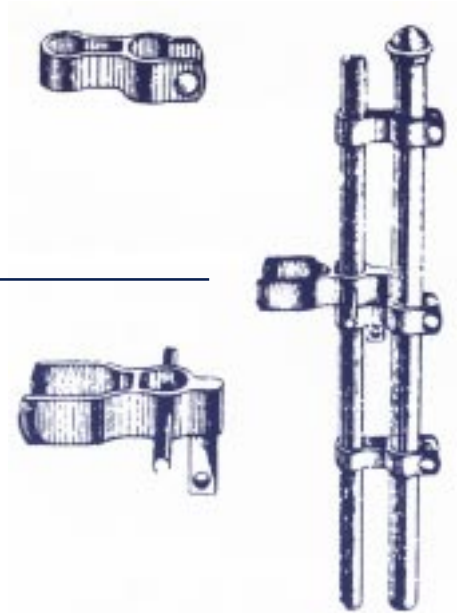


Gate Hardware

Industrial Latch Guide

(Purchase 3 guides for each drop rod assembly.)

<u>Code</u>	<u>Size</u>	<u>Weight per unit</u>
10896	1 5/8"	.96#
10898	2"	.96#



Industrial Latch Fork

(Purchase 1 fork for each drop rod assembly.)

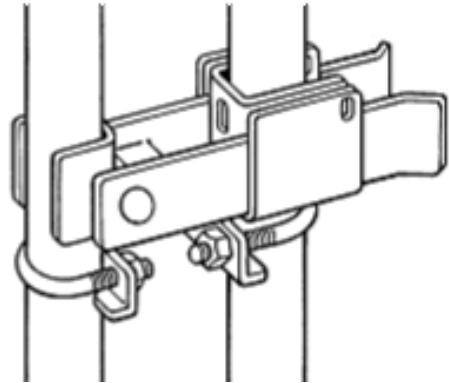
<u>Code</u>	<u>Size</u>	<u>Weight per unit</u>
10895	1 5/8"	1.56#
10897	2"	1.56#

*Use 1 3/8" pipe for drop rod and one 1 3/8" acorn cap.



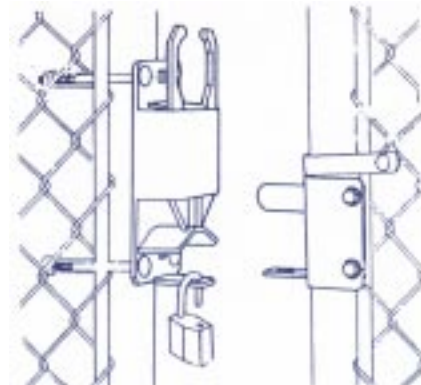
American Double Drive Commercial Latch

<u>Code</u>	<u>Size</u>
10901	1 5/8" x 1 5/8" or 2" x 2"
10904	3" walk gate strong arm



Coline Security Latch

<u>Code</u>	<u>Size</u>	<u>Weight per unit</u>
10903	1 5/8"	6#
10905	2"	6#



AMERICAN FENCE COMPANY

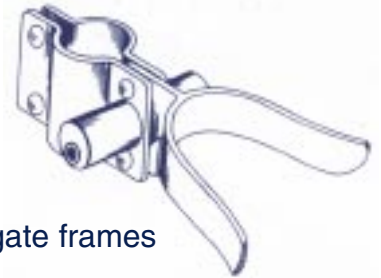


Quick Lock Push Button Gate Lock (residential)

<u>Code</u>	<u>Size*</u>
Non-stock	1 3/8" x 1 3/8"
Non-stock	1 3/8" x 2"
Non-stock	1 3/8" x 2 1/2"
Non-stock	1 5/8" x 2 1/2"

*First dimension is gate frame size;
second dimension is gate post size.

- Tamper /child resistant
- Installs on 1 3/8" and 1 5/8" gate frames
- Solid brass lock components
- 4 keys supplied with each unit
- Heavy duty galvanized steel fork
- Non-spin gate collars
- Installs in minutes - no special tools required
- Full one year guarantee



Heavy Duty Dead Bolt Gate Lock (commercial)

<u>Code</u>	<u>Size*</u>
Non-stock	Universal x 2 1/2"
Non-stock	Universal x 3"

*First dimension is gate frame size;
second dimension is gate post size.

- Tamper /child resistant
- Installs on existing gate frames
- Solid brass lock components
- 4 keys supplied with each unit
- Heavy duty steel construction
- Installs in minutes - no special tools required
- Requires 2" spacing between gate frame and latch post
- Full one year guarantee



Automatic Self-Locking Gate Lock

<u>Code</u>	<u>Size*</u>
Non-stock	1 3/8" x Universal
Non-stock	1 5/8" x Universal
Non-stock	2" x Universal

*First dimension is gate frame size;
second dimension is gate post size.

- Extra heavy duty construction
- the Automatic Gate Lock will self latch and automatically lock the gate
- Fits all standard 2" gate openings
- Keyed on both sides
- Bolts onto existing gate frames
- 2 1/2" spacing required for square frame gates
- Full one year guarantee



AMERICAN FENCE COMPANY



Gate Hardware

Fork Latch Hangers

<u>Code</u>	<u>Size</u>	<u>Weight per unit</u>
10873	1 3/8"	.32#
10874	1 5/8"	.46#
10875	2"	.51#



Wood Fork Latch Hanger

(Screws not included.)

<u>Code</u>	<u>Size</u>	<u>Weight per unit</u>
10861	Universal	.13#



Residential Drop Rod

(Use 2 - 1 3/8" female hinges & 2 - 3/8" x 2" nuts/bolts as guides.)

<u>Code</u>	<u>Size</u>	<u>Weight per unit</u>
10922	30"	1.7#



Co-Line Drop Rod

<u>Code</u>	<u>Size</u>	<u>Weight per unit</u>
10925	20"	5#



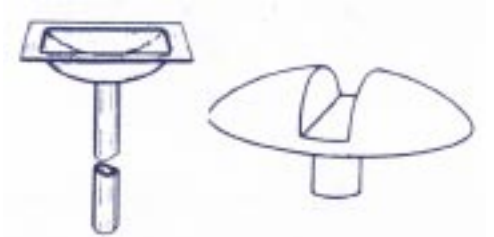
AMERICAN FENCE COMPANY



Gate Hardware

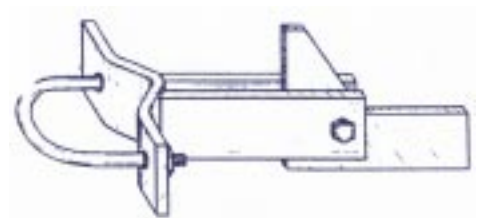
Center Gate Stops

<u>Code</u>	<u>Type</u>	<u>Weight per unit</u>
10945	Dome	3.5#
10946	Field	1.5#



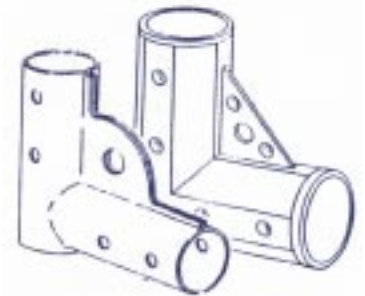
Gate Holdbacks

<u>Code</u>	<u>Size</u>	<u>Weight per unit</u>
10950	Universal	1.5#



Gate Ells / Gate Corners

<u>Code</u>	<u>Size</u>	<u>Weight per unit</u>
10933	1 3/8" Alum.	.36#
10934	1 5/8" Pressed Steel	2.5#
10935	2" Pressed Steel	2.5#



Gate Clips

<u>Code</u>	<u>Size</u>	<u>Weight per unit</u>
10940	1/2" C type	.11#



Gate Scroll

<u>Code</u>	<u>Size</u>	<u>Weight per unit</u>
10926	18"	.9#
10927	24"	1#



AMERICAN FENCE COMPANY



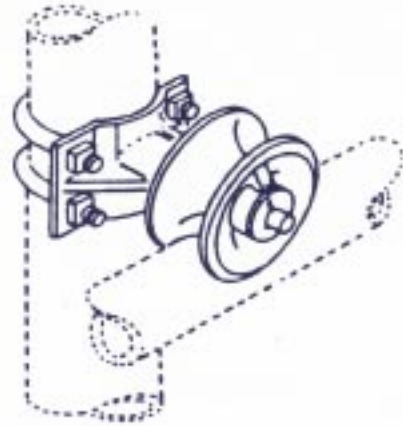
Gate Hardware

Cantilever Rollers

(Complete with U Bolts.)

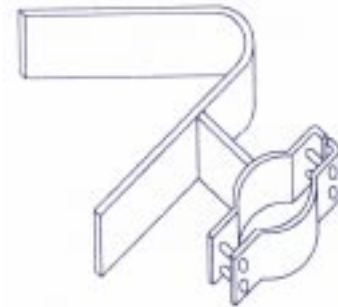
<u>Code</u>	<u>Size</u>	<u>Weight per unit</u>
10961	3" x 2 1/2"	15#
10960	4" x 2 1/2"	15#
10962	6 5/8" x 2 1/2"	

* First dimension is gate post size;
second dimension is pipe track size



American Cantilever Receiver

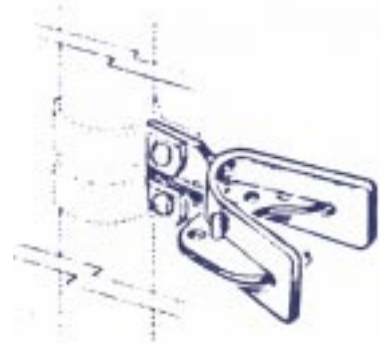
<u>Code</u>	<u>Size</u>	<u>Weight per unit</u>
10968	3"	7#
10969	4"	7#



Lock N' Latch Standard

(Requires 2 end bands. Not Included.)

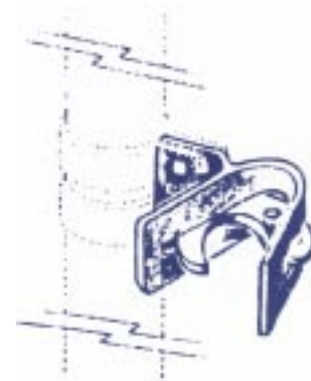
<u>Code</u>	<u>Size</u>	<u>Weight per unit</u>
10970	1 5/8" or 2" gate frame	1.5#



Lock N' Latch Offset

(Requires 2 end bands. Not Included.)

<u>Code</u>	<u>Size</u>	<u>Weight per unit</u>
10971	1 5/8" or 2" gate frame	1.5#



AMERICAN FENCE COMPANY



Gate Hardware

Cantilever Locking Latch

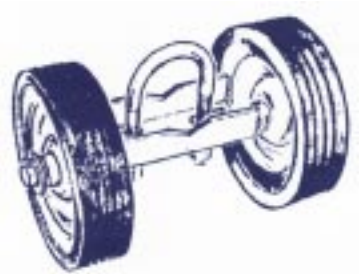
<u>Code</u>	<u>Size*</u>	<u>Weight per unit</u>
10963	3" x 1 5/8" or 2"	3.5#
10965	4" x 1 5/8" or 2"	4#

* First dimension is gate post size;
second dimension is pipe frame size

Residential Double Wheel Assembly

<u>Code</u>	<u>Size*</u>	<u>Weight per unit</u>
10982	8" x 1 5/8" or 2"	10#

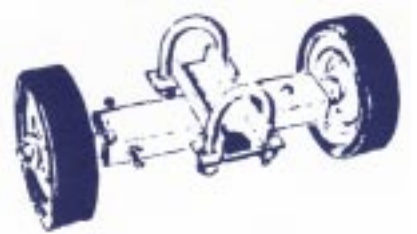
* First dimension is wheel size;
second dimension is pipe frame size



Industrial Double Wheel Assembly

<u>Code</u>	<u>Size*</u>	<u>Weight per unit</u>
10981	8" x 1 5/8" or 2"	12#

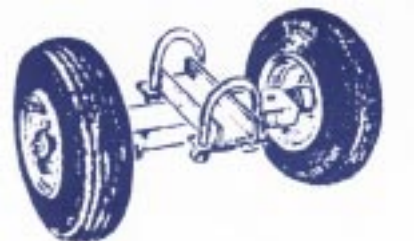
* First dimension is wheel size;
second dimension is pipe frame size



Rough N' Ready

<u>Code</u>	<u>Size*</u>	<u>Weight per unit</u>
10980	8" pneumatic wheels x 1 5/8" or 2"	12#

* First dimension is wheel size;
second dimension is pipe frame size



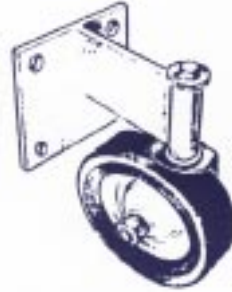
AMERICAN FENCE COMPANY



Gate Hardware

Swing Gate Wheel Assembly

<u>Code</u>	<u>Type</u>	<u>Weight per unit</u>
10975	Wood	5#
10976	Chain	4#



Rear Wheel Bracket*

<u>Code</u>	<u>Size</u>	<u>Weight per unit</u>
10977	2" x 5/8" hole	.83#

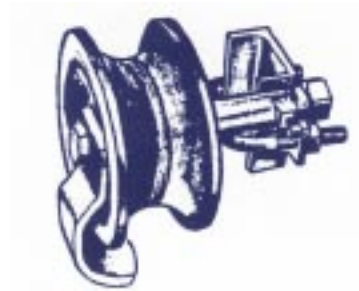
* Use bracket with each Gate - T Rear Wheel #10978



Gate - T Rear Wheels for Pipe Track

<u>Code</u>	<u>Size*</u>	<u>Weight per unit</u>
10978	5" x 1 5/8"	2.9#
	5" x 1 5/8"	4.55#

* First dimension is wheel size;
second dimension is track size



Requires Rear Wheel Bracket

AMERICAN FENCE COMPANY



Gate Hardware

Safe -T Line Track Bracket

<u>Code</u>	<u>Size*</u>	<u>Weight per unit</u>
10979	2 1/2" or 3" x 1 5/8"	2.65#
10964	4" x 1 5/8"	2.73#
10972	1 5/8" x 2"	

* First dimension is post size;
second dimension is track size.



Safe - T Gate Stop

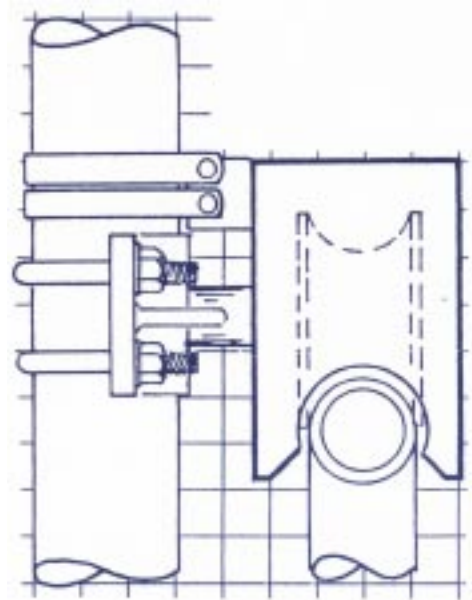
<u>Code</u>	<u>Size</u>	<u>Weight per unit</u>
10983	1 5/8" Pipe Track	.79#



Cantilever Roller Guards

<u>Code</u>	<u>Size</u>
	fits standard rollers

To increase safety, we strongly recommend the use of roller guards.



AMERICAN FENCE COMPANY



Nuts, Bolts & Screws

Carriage Bolts

<u>Code</u>	<u>Size</u>	<u>Weight per unit</u>
11170	5/16" x 1 1/4"	.04#
11171	5/16" x 2"	.055#
11172	5/16" x 2 1/2"	.07#
11198	3/8" x 1 1/4"	.08#
11173	3/8" x 2"	.19#
11174	3/8" x 2 1/2"	.11#
11175	3/8" x 3"	.12#
11176	3/8" x 3 1/2"	.13#
11179	7/16" x 2"	.14#
11181	7/16" x 3"	.17#
11190	1/2" x 2"	.19#
11192	1/2" x 3"	.25#



* Sold in full box quantity only.

Screws

<u>Code</u>	<u>Size</u>	<u>Weight per unit</u>
11161	5/16" x 2 1/2" Black	.046#
11163	2 1/2" Wingtek	.0193#



AMERICAN FENCE COMPANY



Gate Hardware

Childproof Auto Latch

<u>Code</u>	<u>Size</u>	<u>Weight per unit</u>
10876	2 1/2" x 1 3/8"	1#
10877	3" x 1 5/8"	1#

*First dimension is gate post size;
second dimension is gate frame size.



Self Closing Round Post Hinge

<u>Code</u>	<u>Size</u>	<u>Weight per unit</u>
10819	Universal	2.2#

* This same hinge will work for post sizes
2", 2 1/2" or 3" and gate frame sizes 1 3/8" or 1 5/8"

Residential Gate Fitting Kit-Single Swing

(Includes 2ea male hinges, 2ea female hinges, 1ea residential fork, 1ea residential fork latch hanger and all nuts and bolts)

<u>Code</u>	<u>Size</u>	<u>Weight per unit</u>
10775	2" x 1 3/8"	9#
10776	2 1/2" x 1 5/8"	9.5#

*First dimension is gate post size;
second dimension is gate frame size.

Residential Gate Fitting Kit-Double Drive

(Includes 4ea male hinges, 4ea female hinges, 1ea residential fork, 1ea residential fork latch hanger and all nuts and bolts)

<u>Code</u>	<u>Size</u>	<u>Weight per unit</u>
10785	2" x 1 3/8"	9#
10786	2 1/2" x 1 5/8"	9.5#

*First dimension is gate post size;
second dimension is gate frame size.